

Technical information

SUPER 800(i)



Tracked paver SUPER 800(i)

Mini Class

TECHNICAL HIGHLIGHTS

- > Pave widths 0.5–3.5 m
- > Maximum laydown rate 300 t/h
- > Clearance width 1.4 m
- > Engine output: 55.4/54 kW at 2,000 rpm

SUPER 800(i) - the Mini Class paver with the maximum range of applications

In combination with Extending Screeds AB 200 TV and AB 220 TV, the SUPER 800(i) achieves extraordinarily high precompaction values for this class of paver.

It is the ideal mini paver for a wide range of applications such as the construction and repair of farm tracks, minor roads, footpaths and cycle paths. The excellent price/performance ratio of the SUPER 800(i) also makes it the ideal choice for many local authority contractors.



TECHNICAL DATA	SUPER 800i	SUPER 800
Power unit		
	for EU/EFTA countries/USA/Canada	for all other countries
Engine	liquid-cooled 4-cylinder diesel engine	
> Version	Deutz	
> Manufacturer	Deutz	
> Type	TCD 2.9 L4	TD 2.9 L4
Output		
> Nominal	55.4 kW at 2,200 rpm	54 kW at 2,200 rpm
> ECO mode	54.7 kW at 1,800 rpm	49 kW at 1,800 rpm
Emissions information		
> Exhaust emissions standards	EU Stage V, US EPA Tier 4f	EU Stage 3a, US EPA Tier 3
> Exhaust gas after-treatment	DOC, DPF	
> Guaranteed sound power level	L _{WA} = 104 dB(A) (2000/14/EG, EN ISO 3744; EN 500-6)	
> Sound pressure level at the operator's stations	L _{PA} ≤ 85 dB(A) (EN ISO 11201; EN 500-6)	
Fuel tank	80 litres	
Undercarriage		
Crawler tracks		
> Version	with rubber pads	
> Ground contact	1,500 x 180 mm	
> Track tension adjuster	spring assembly	
> Lubrication of track rollers	lifetime	
Traction drive	separate hydraulic drive and electronic control provided for each crawler track	
Speeds		
> Paving	up to 30 m/min., infinitely variable	
> Travel	up to 3.6 km/h, infinitely variable	
Material hopper		
Hopper capacity	5.8 t	
Width	2,900 mm	
Feed height	590 mm (bottom of material hopper)	
Push-rollers		
> Standard	oscillating, fold up with the sides of the material hopper	
Position	adjustable by 100 mm to the front, 50 cm to the left	

Conveyors and augers

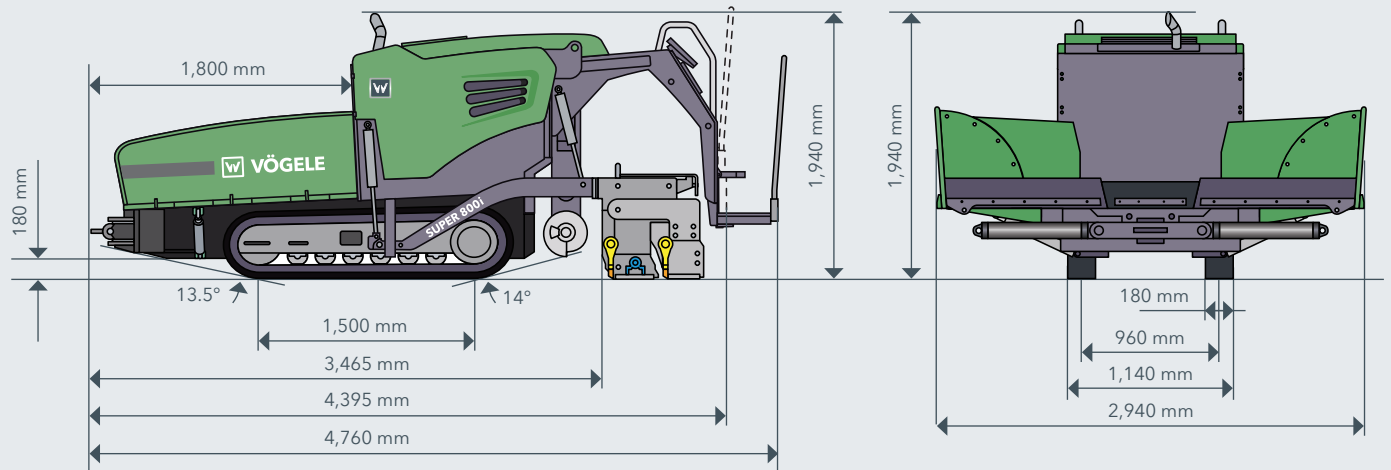
Conveyor		
> Version	1, with replaceable feeder bars, conveyor movement is reversible	
> Drive	hydraulic	
> Speed	up to 20 m/min., infinitely variable (manual or automatic)	
Augers		
> Version	2, mounted overhung, auger rotation is reversible	
> Diameter	300 mm	
> Drive	separate hydraulic drive provided for each auger	
Height		
> Standard	infinitely variable by 10 cm, mechanical	
> Option	infinitely variable by 10 cm, hydraulic	
Screed options	AB 200	AB 220
Basic width	1.1 m to 2 m	1.2 m to 2.2 m
Maximum width	3.2 m	3.5 m
Minimum pave width	0.5 m	
Compacting system	TV	
Layer thickness	up to 20 cm	
Screed heating		
> Version	electric by heating rods	
> Power supply	three-phase AC generator	

Dimensions (transport) and weights

Clearance width	
> Version	1.4 m
Length	
> Version	tractor unit and screed
> AB 200/220	4.4 m
Weights	
> Version	tractor unit and screed
> AB 200 TV	6,500 kg
> AB 220 TV	6,600 kg

Key: DOC = Diesel Oxidation Catalyst, DPF = Diesel Particulate Filter, AB = Extending Screed, TV = with tamper and vibrators

SIDE AND FRONT VIEW



THE HIGHLIGHTS OF THE SUPER 800(i)

- > Wide range of paving applications from 0.5-3.5 m for a large number of paving projects
- > The ideal option for highly confined job sites thanks to its compact dimensions
- > Several feed options with the asymmetrical material hopper
- > Simple operation with the innovative and easy-to-grasp ErgoBasic operating concept
- > Powerful and cost-efficient thanks to the 55.4 kW diesel engine and ECO mode
- > Positive tracking and precise steering delivered by traction drives in closed loops
- > AB 200 TV Extending Screed or AB 220 TV Extending Screed with tamper and vibrators

FEATURES	SUPER 800i	SUPER 800
> Powerful three-phase AC generator	■	■
> Simple, ergonomic ErgoBasic operating concept	■	■
> Weather shield for paver operator's platform	□	□
> 4 working lights	■	■
> Hazard warning light	□	□
> Oscillating push-rollers	■	■
> 5.8-tonne capacity material hopper	■	■
> Asymmetrical material hopper	□	□
> Manual auger height adjustment	■	■
> Hydraulic auger height adjustment	□	□
> Mechanical sensor to control augers	■	■
> Sonic sensor to control augers	□	□
> Screed Assist (hydraulic)	□	□
> Niveltronic Basic	□	□
> Variety of grade and slope control sensors	□	□
> Cleaning system with tank and hose reel	□	□

This list is just an extract of the scope of supply.
Standard features and options may differ by sales region.

■ Standard feature □ Option

JOSEPH VÖGELE AG

Joseph-Vögele-Str. 1
67075 Ludwigshafen
Germany

T: +49 621 8105-0
F: +49 621 8105-461
M: marketing@voegele.info

www.voegele.info

